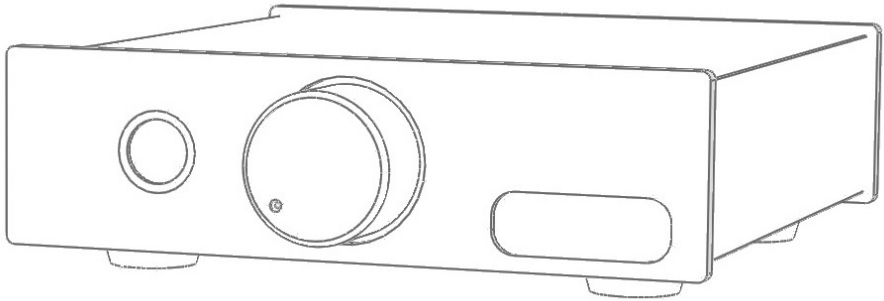


BANTAM *gold*



Thank you for purchasing the Bantam Gold Amplifier.

A high performance stereo digital amplifier, truly and completely made in England.

The Bantam Gold is an integrated power amplifier which uses a digital method of amplification. Producing superior sound quality and higher efficiency than conventional technology.

For more detailed information on all Temple Audio products please visit our website.

www.templeaudio.net

If you are unsure about anything, contact Temple Audio for advice.

Safety Information:

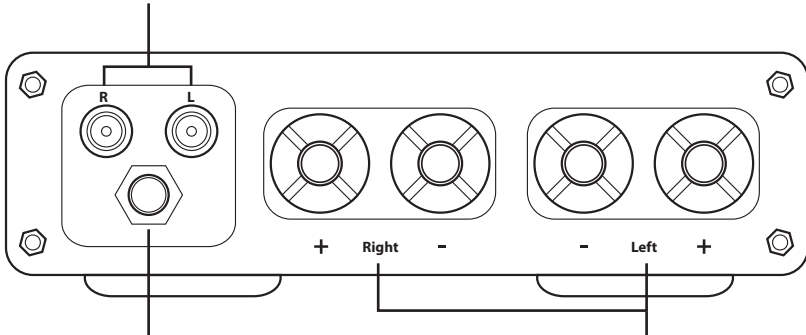
While there are no heat dissipation or airflow considerations for the Bantam Gold Amplifier unit itself, adequate space should be left around the power supply and mains cables for air to flow.

Do not allow water to enter this unit.

If the electrical cables or power supply appear to be damaged, do not plug the unit in to the mains. Instead contact Temple Audio for a replacement.



Sound source: Line level signal.



Power Supply: 9 - 18V DC >2A
2.1mm Plug center pin positive

Speakers: >3.5 ohms. > 85dB

Installation:

Please ensure that the equipment you are connecting to the Bantam Gold meets the specifications described in the diagram above.

Place the Bantam Gold on a flat sturdy surface and connect your equipment as shown in the above diagram.

Do not connect the speaker output terminals to each other, or to ground. This will cause the Amplifier to go in to self protection mode.

Turn the volume knob to minimum by rotating the volume knob anticlockwise, then press the power on button to turn the Bantam Gold ON.

Play music through your sound source and slowly increase the volume by rotating the volume knob on the Bantam Gold clockwise until the volume is at your desired listening level.

If you have turned the volume knob to maximum and you still require a higher volume, increase the gain level by following the instructions (high and low gain) on the following page.

Burning In:

Typically the Bantam Gold requires a few days burn in from new before it produces its optimal sound quality.

To burn in the amplifier leave it plugged in to your system. It doesn't matter to the burn in process if the amplifier is on and playing music, or not.

High and Low gain mode:

The Bantam Gold has two gain levels, which can be used to match the amplifier to your equipment.

In general most people will require the standard low gain mode.

However for certain devices that give a fairly low level output (like Ipods) you may need to set the amplifier to high gain mode to get a substantial boost in volume.

To change gain mode, turn the amplifier on. Then, while the amplifier is on, press and hold the power button for about 30 seconds, until the LED starts to flash.

You are now in high gain mode.

Repeat the process to change it back to low gain mode.

Troubleshooting:

- **No sound from unit (power light does not illuminate when button is pressed)**
Power not connected: *Check the power supply is properly connected to the mains outlet. Also check that the power supply is properly connected to the Bantam Amplifier.*
- **No sound from unit (power light is illuminated when button is pressed)**
Self protection mode activated: *Try disconnecting each speaker individually. A fault on one speaker output (IE shorted cable) will cause the amplifier to mute the sound on both channels until the fault is removed.
Try a different pair of speakers.*
- **Audible Background noise:**
Earth connection not adequate: *Try a different sound source. Preferably full size Hi-Fi unit. Examine your system for poor earth connections or earth loops.*



Company Information:

Temple Audio LTD

23 James Street
Sale
Cheshire
M33 3GY

Company Registration Number: 06899384
A family Business. Registered in England.

sales@templeaudio.net

For more information please visit our website.
www.templeaudio.net

Warranty Details:

The Bantam Gold comes with a 3 year manufacturers warranty.

Should any defect in materials or workmanship be discovered in the 3 year period, Temple Audio will repair or replace the unit without any charge for parts or manual labour.

The warranty does not cover damage caused by accident, abuse, misuse, water, flood, fire, or other acts of nature or external causes.

The warranty does not cover damage caused by unauthorised servicing or modification of the unit.